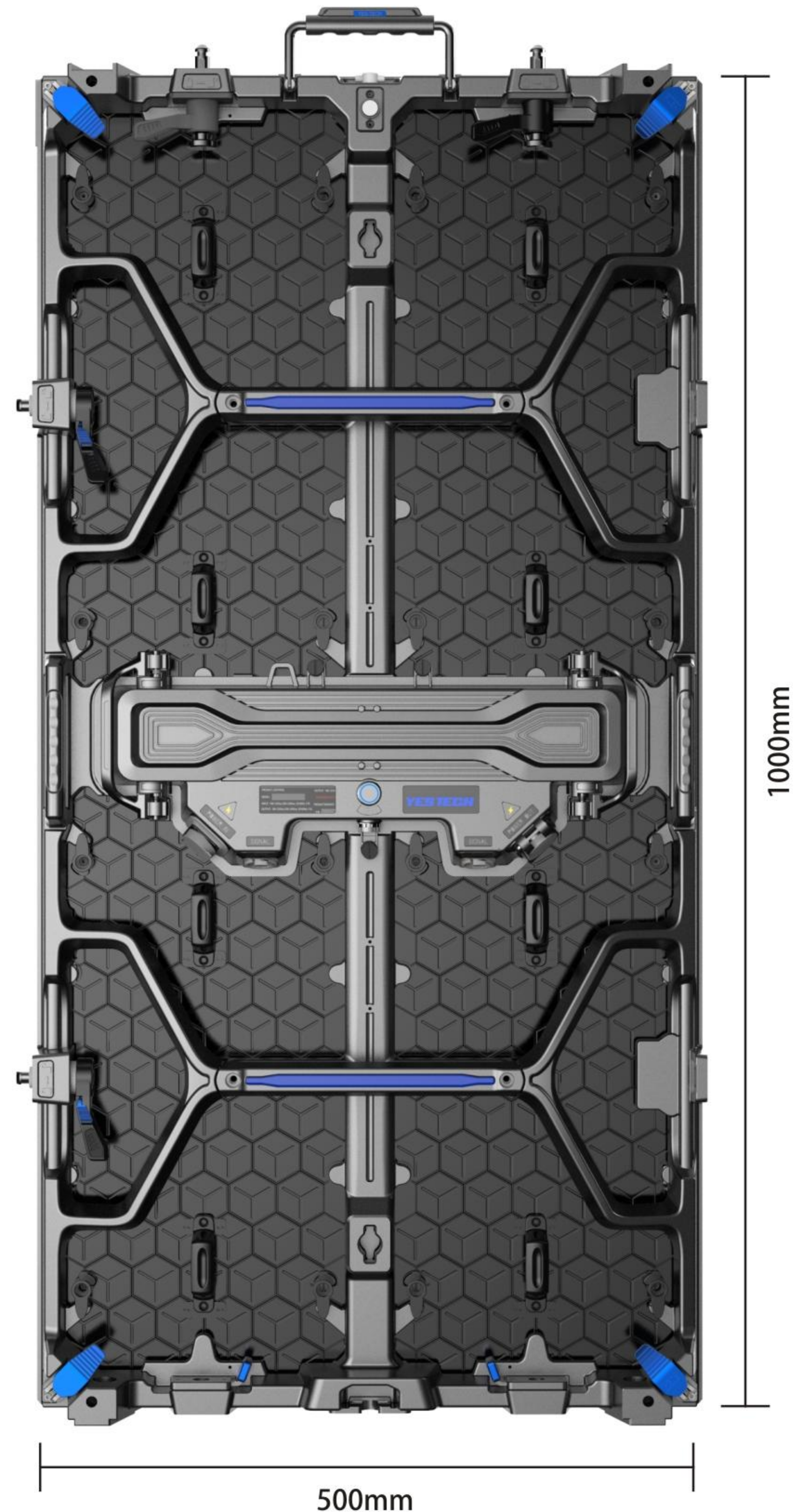
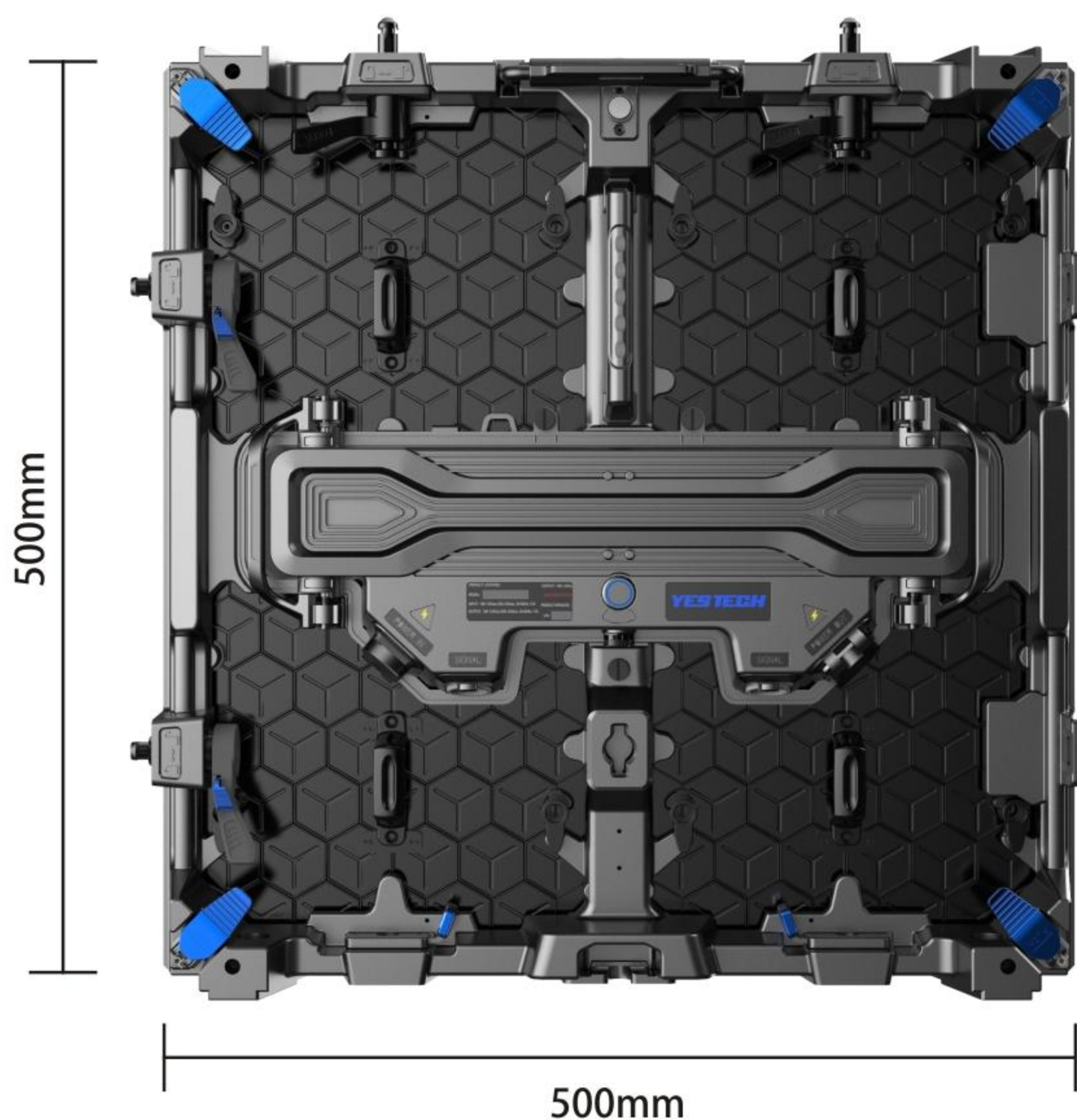


# DS Series

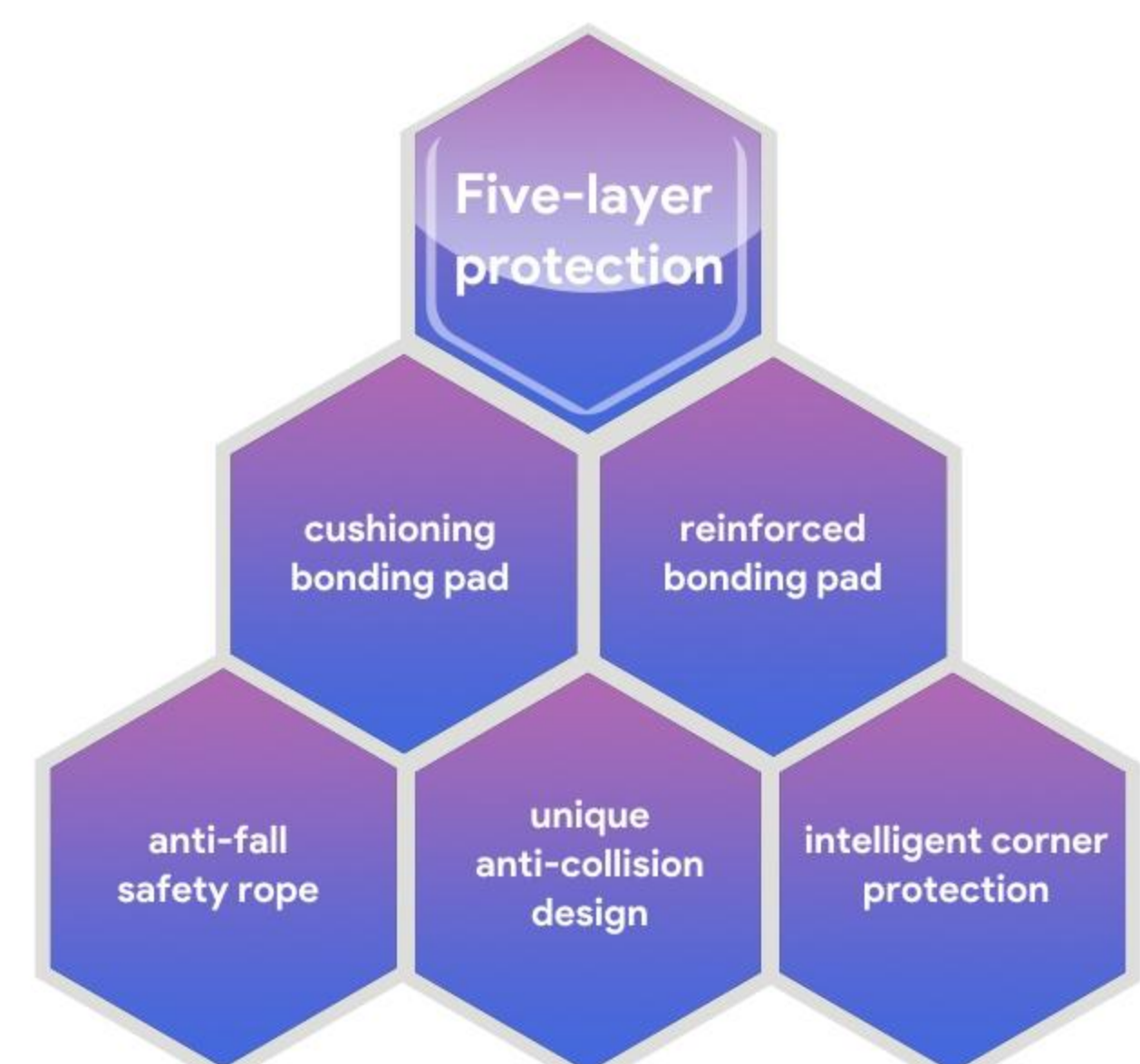
## Steady & Speedy

For large rental application



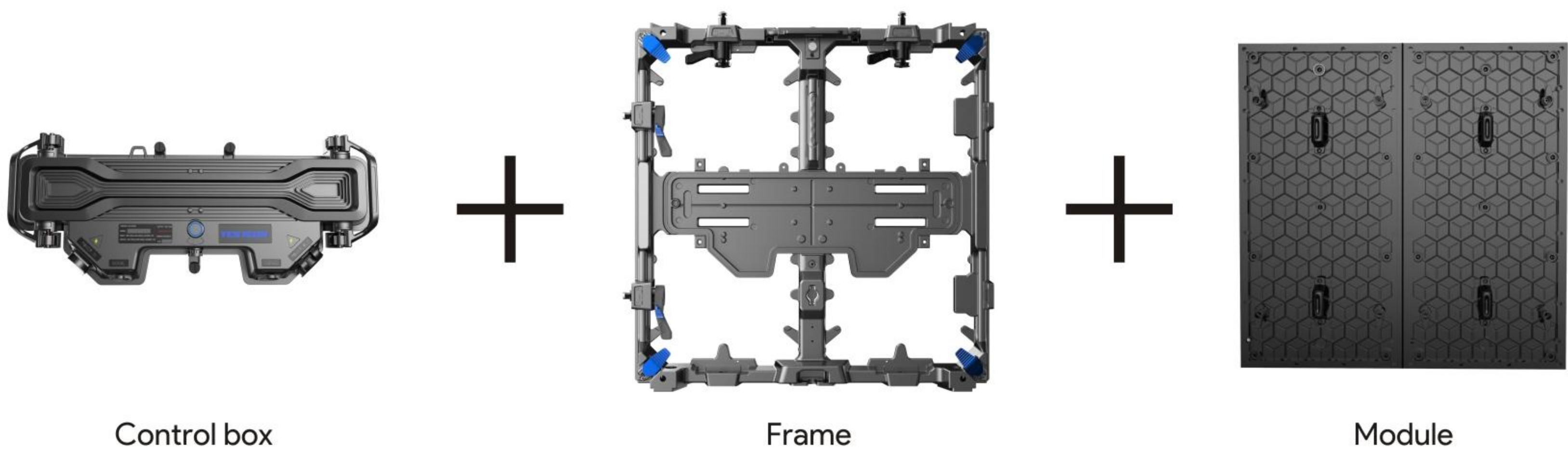
## Five-layer protection

- ▶ The module is combined with unique anti-collision design
  - + cushioning
  - + reinforced bonding pad
  - + intelligent corner protection
  - + anti-fall safety rope five-layer protection, effectively protect the module from damage.
- So the cabinet is stronger, the performance is more stable, installation and transportation is more safety and reliable.



## Stable and convenient

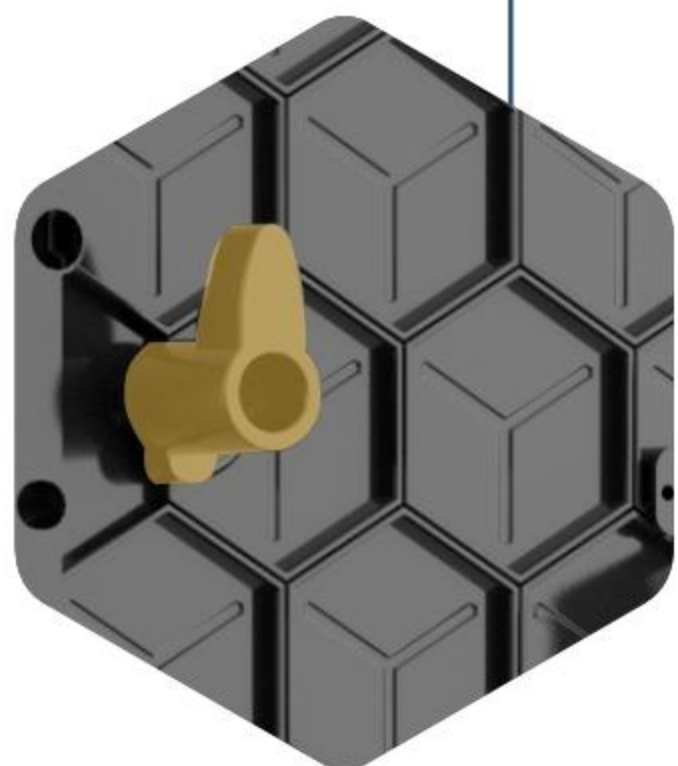
- ▶ Modular design, can realize universal interchange of control boxes, frame and modules.
- ▶ Humanized design, make the product more convenient and safer to use.



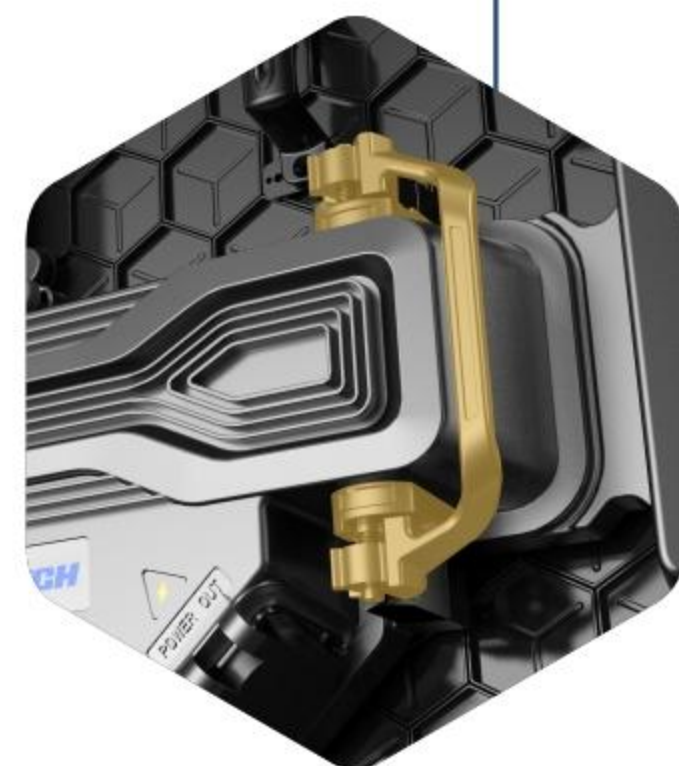
Adding the damping to have the buffering



Cross post hanging buckle design, one-step set up and take down, hands-free and more convenient



Quick disassembling structure design, one step disassembling, fast and convenient



Control box locking mechanism, Remove-lift the handle to loosen, Assembly-press the handle to lock



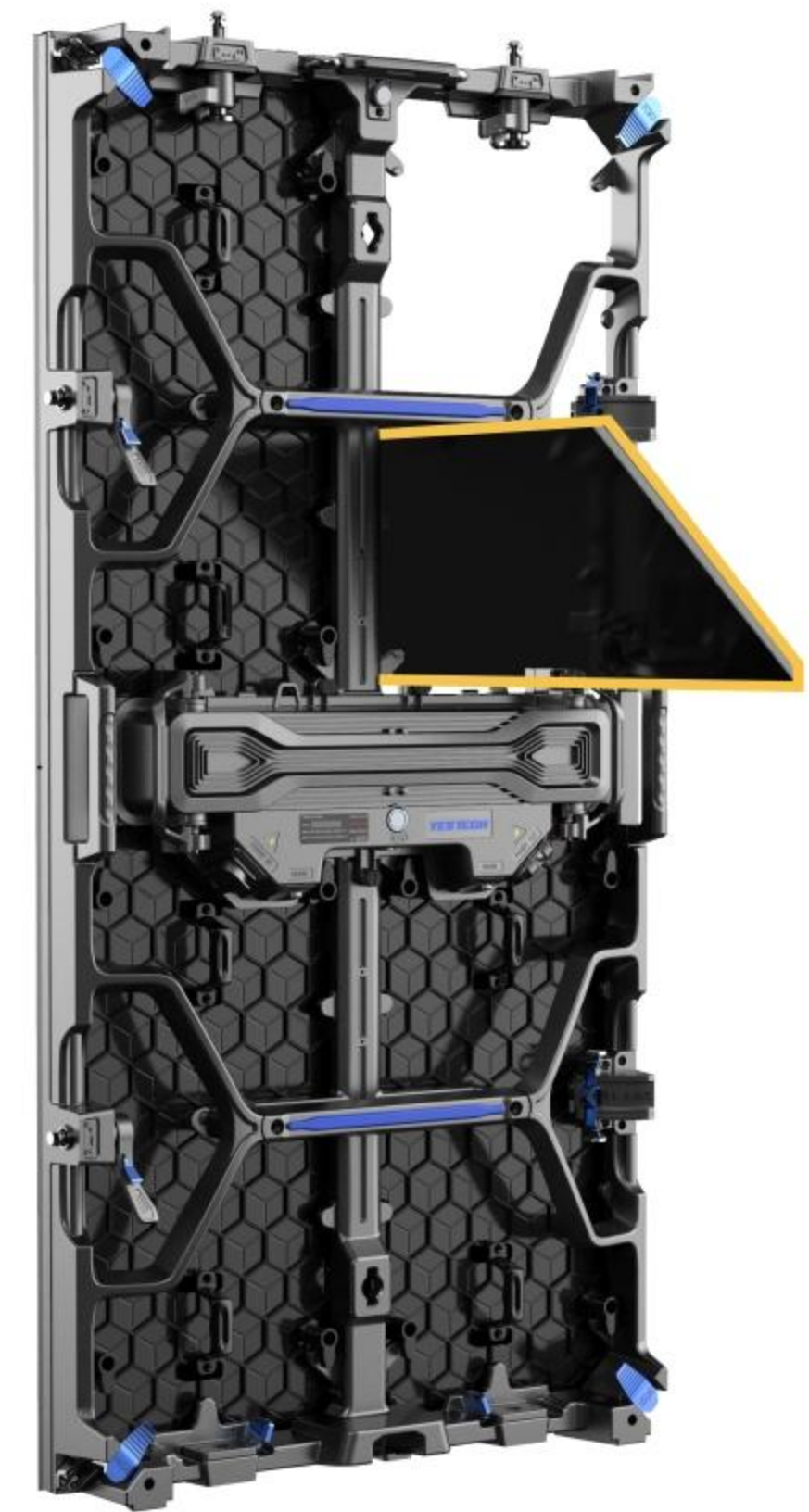
- ▶ **Fast maintenance:** Support front and rear maintenance, and the entire module and power box can be quickly replaced.



Module front service

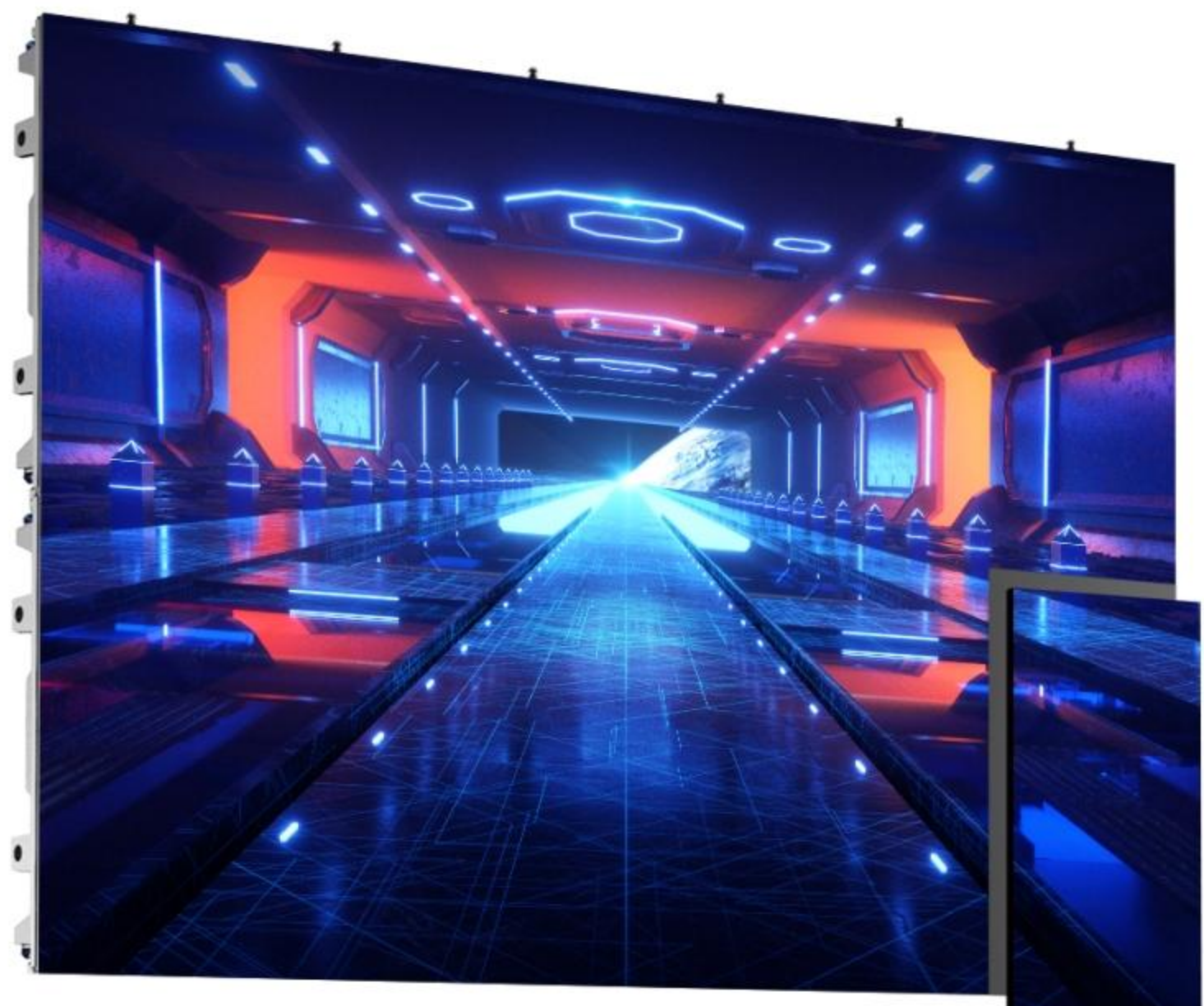


Module rear service



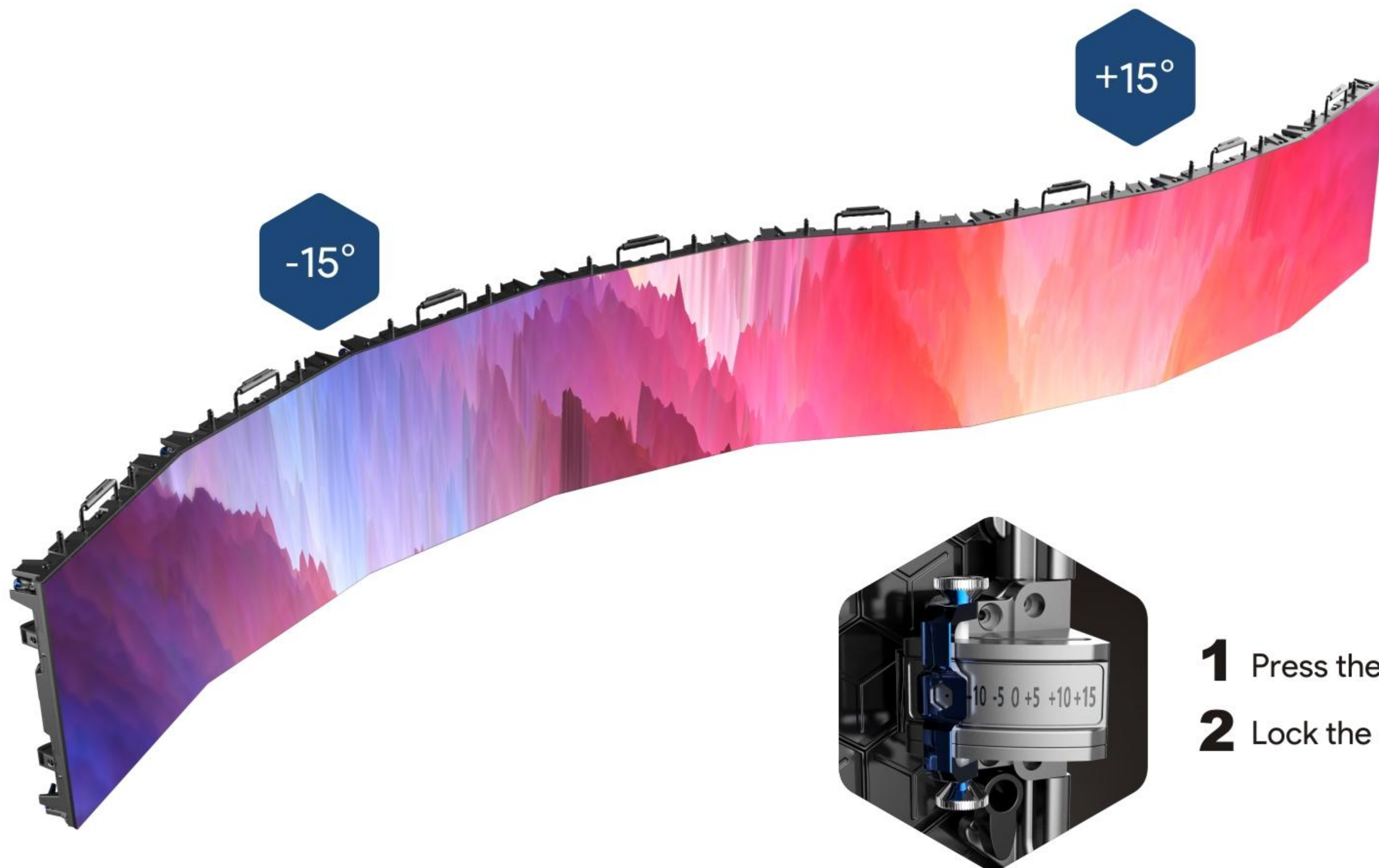
## Better experience

- ▶ Automatic accurate color calibration, excellent display technology, clear and exquisite picture, more comfortable viewing experience.



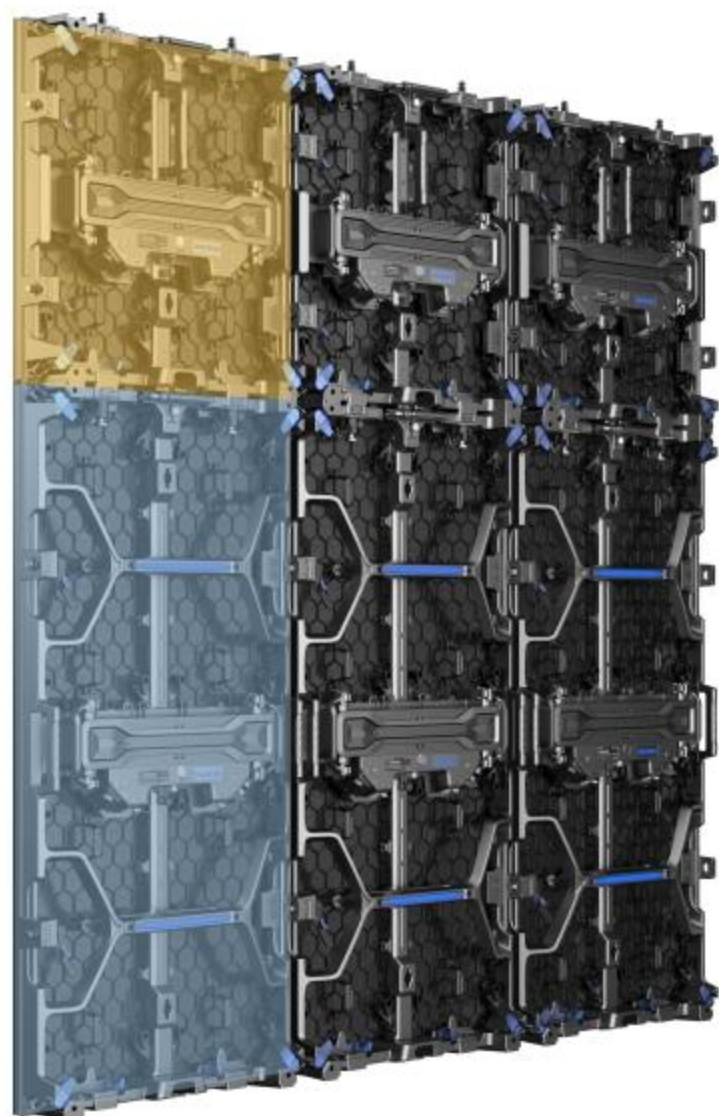
## Freely install

- ▶ Professional curving lock design, support -15 to +15 degree installation.



- 1 Press the tab to select the angle
- 2 Lock the quick lock

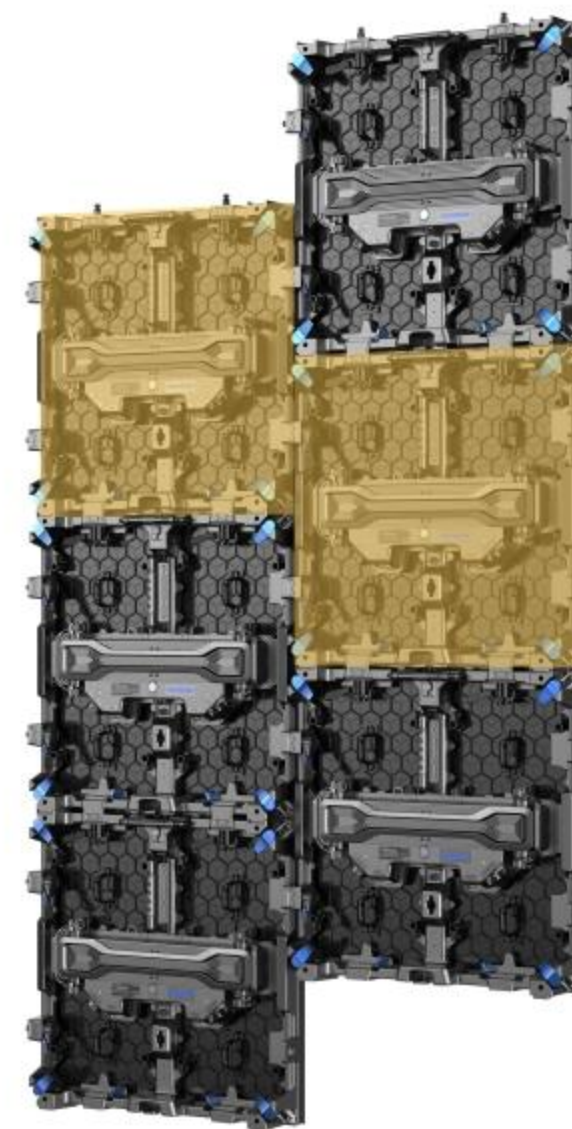
- ▶ 500\*500mm and 500\*1000mm cabinet available, can realize different connection and dislocation, meets the demands for different application scenarios.



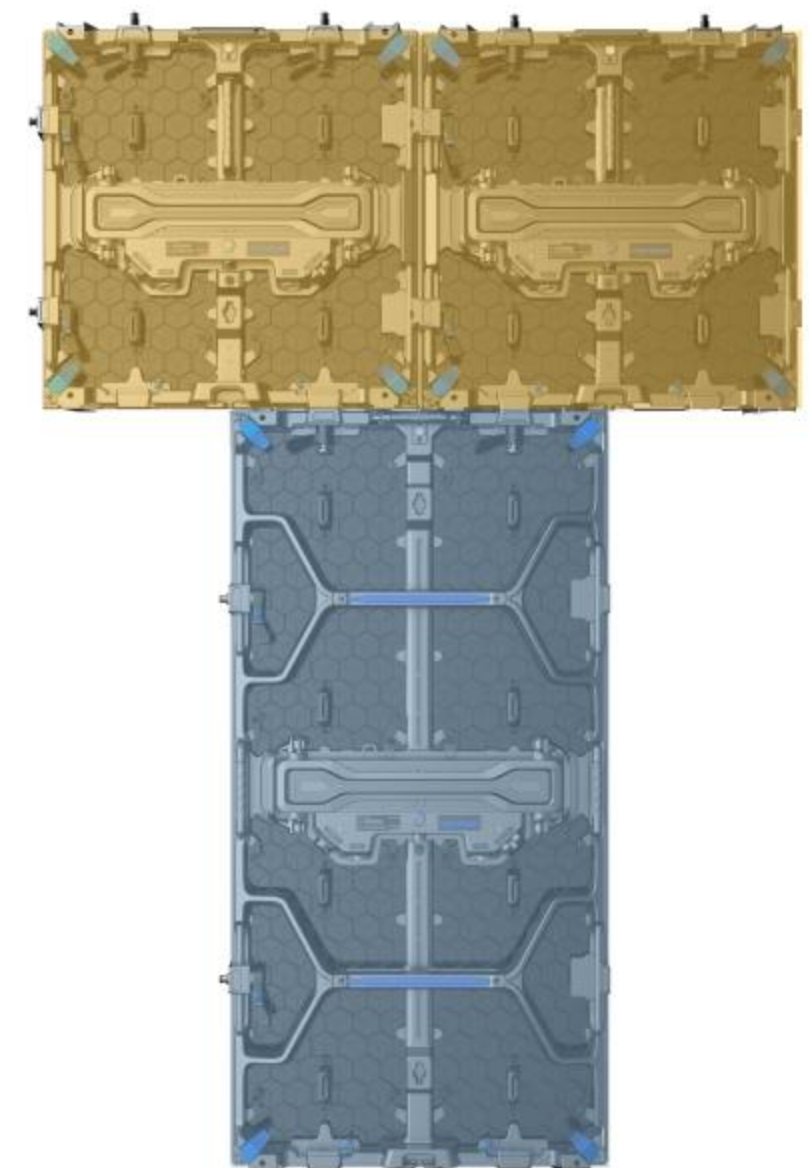
500\*500mm and 500\*1000mm  
up and down splicing



1000\*1000mm  
Up and down dislocation



500\*500mm  
Up and down dislocation



Left and right dislocation

## Ingenious design

- ▶ The modular honeycomb process design has good stress distribution, higher structural stability and strength, and more refined appearance.

## Application Scenarios:

concerts, sports events, conferences, variety shows, etc...



## Product Parameters

Items		YDS-P01JNFT 32-00	YDS-P02GNFS 24-00	YDS-P02JNFD 21-00	YDS-P03JNFD 16-00	YDS-P04INFD 13-00
Module	LED encapsulation	IMD	1515	2020	2020	2020
	pixel pitch (mm)	1.9375	2.6	2.9	3.9	4.8
	module resolution (W×H)	128×128	96×96	84×84	64X128	52X104
	module size (mm)	250×250	250×250	250×250	250X500	250X500
Cabinet	module per cabinet (W×H)	2×2	2×2	2×2	2X1/2X2	2X1/2X2
	resolution (W×H)	256×256	192×192	168×168	128X128/128X256	104X104/104X208
	size (mm)	500×500×75	500×500×80	500×500×80	500X500X80/500X1000X80	
	area (m <sup>2</sup> )	0.25	0.25	0.25	0.25/0.5	0.25/0.5
	weight (kg/cabinet)	8.2	8.2	8.5	8.2/12.5	8.2/12.5
	pixel density (dot/m <sup>2</sup> )	262144	147456	112896	65536	43264
	IP grade	IP50	IP50	IP50	IP50	IP50
Optical Parameters	brightness correction	OK/OK	OK/OK	OK/OK	OK/OK	OK/OK
	white balance brightness (nit)	500-700	800-1200	800-1200	800-1200	800-1200
	horizontal vertical viewing angle ( ° )	160 / 140	160/ 120	160 / 120	160 / 120	160 / 120
	contrast ratio uniformity	5000:1	5000:1	5000:1	5000:1	5000:1
Electrical Parameters	power consumption (W/cabinet)	400±15%/135±15%	480±15%-160±15%			
	working voltage	AC 100 ~ 240V				
Processing Performance	driving method	Constant Drive				
	frame frequency (Hz)	50/60				
	refresh rate (Hz)	≥1920 (1920,2880,3840...)				
	control system	Nova				
Usage parameters	communication mode	CAT 5				
	angle of arc installation (°)	/	±5	±5	±15	±15
	min circle diameter (m)	/	11.45	11.45	3.8	3.8
Certificate	Product certification	CE FCC ETL	CE FCC ETL	CE FCC ETL	CE FCC ETL	CE FCC ETL